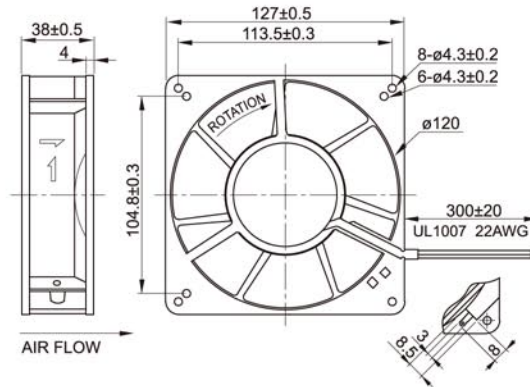
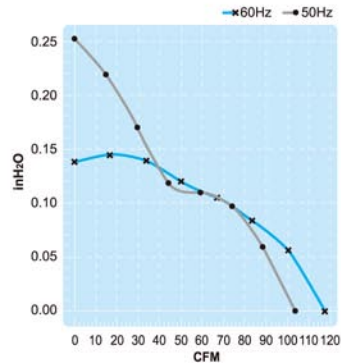


UF13A Series

Size : 127 x 127 x 38
Unit : mm



Terminal or Lead Wire Type

Impedance-Protected



Spec.	Rated Voltage	Frequency	Input Power	Rated Current	Locked Current	Speed	Maximum Air Flow	Maximum Air Flow	Maximum Pressure	Maximum Pressure	Noise	Weight
Model	V	Hz	W	A	A	RPM	m ³ /min.	CFM	mmH ₂ O	InchH ₂ O	dB	kg
UF13A10-H	100	50	15	0.24	0.33	2700	2.9	103	7.3	0.29	46	0.55
		60	13	0.20	0.27	3000	3.4	120	2.8	0.11	50	
UF13A11-H	115	50	14	0.20	0.26	2700	2.9	103	7.3	0.29	46	0.55
		60	12	0.16	0.23	3000	3.4	120	2.8	0.11	50	
UF13A20-H	200	50	15	0.12	0.17	2700	2.9	103	7.3	0.29	46	0.55
		60	13	0.10	0.14	3000	3.4	120	2.8	0.11	50	
UF13A23-H	230	50	17	0.10	0.13	2700	2.9	103	7.3	0.29	46	0.55
		60	15	0.09	0.11	3000	3.4	120	2.8	0.11	50	