



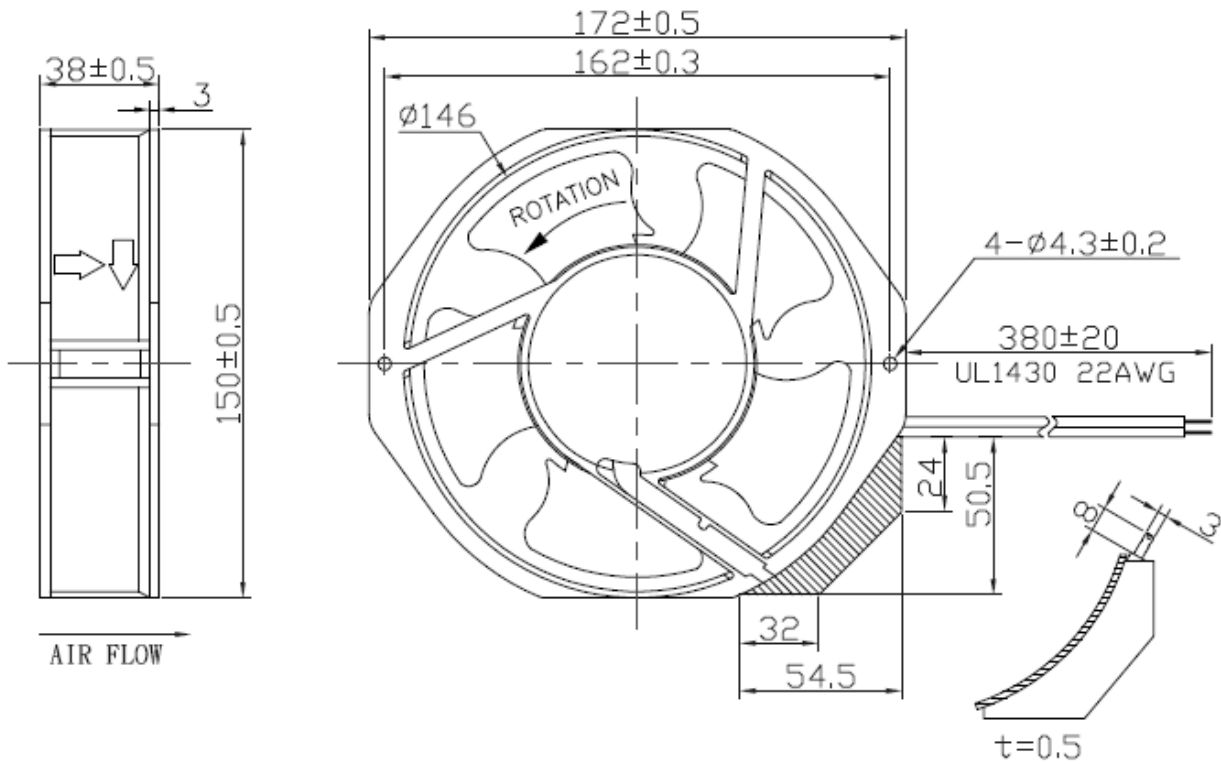
PRODUCT DATA SHEET

MODEL
UF-15A23B-H

**SPECIFICATIONS
FULLTECH ELECTRIC CO.,LTD**

ITEM	MODEL
	UF-15A23-H
RATED VOLTAGE	AC230V
VOLTAGE RANGE	AC207-253V
SPEED(RPM)	50Hz 2750 RPM±10% 60Hz 3200 RPM±10%
RATED CURRENT	50Hz 0.25 A±10% 60Hz 0.19 A±10%
RATED INPUT	50Hz 39 W±10% 60Hz 31 W±10%
LOCKED CURRENT	50Hz 0.320 A±10% 60Hz 0.280 A±10%
MAX. AIR VOLUME	50Hz 166±10% CFM 60Hz 198±10% CFM
MAX. STATIC PRESSURE	50Hz 0.43±10% inH2O 60Hz 0.40±10% inH2O
OPERATING TEMP.	-40°C~+70°C
MAX. OPERATING HUMIDITY	85%
STORAGE TEMP.	-40°C~+80°C
ROTATING DIRECTION	ANTI-CLOCKWISE DIRECTION
BLOWING DIRECTION	EXHAUST OVER STRUTS
INSULATION RESISTANCE	DC 500 V 100MΩ
DIELECTRIC STRENGTH	AC 1500V / 1MIN.
NOISE	50Hz 50 dB±10% 60Hz 55 dB±10%
SAFETY PROTECTION	IMPEDANCE PROTECTION
INSULATION GRADE	CLASS B
BEARING	BALL BEARING
LIFE EXPECTANCY	OVER 40000 HOURS (40°C)
FRAME MATERIAL	ALUMINUM (ADC-12)
IMPELLER	PLASTIC 94V-0 PBT. COVERING GLASS FIBER
DIMENSION	172*150*38 mm
WEIGHT	0.78 KG.

PRODUCT DRAWING



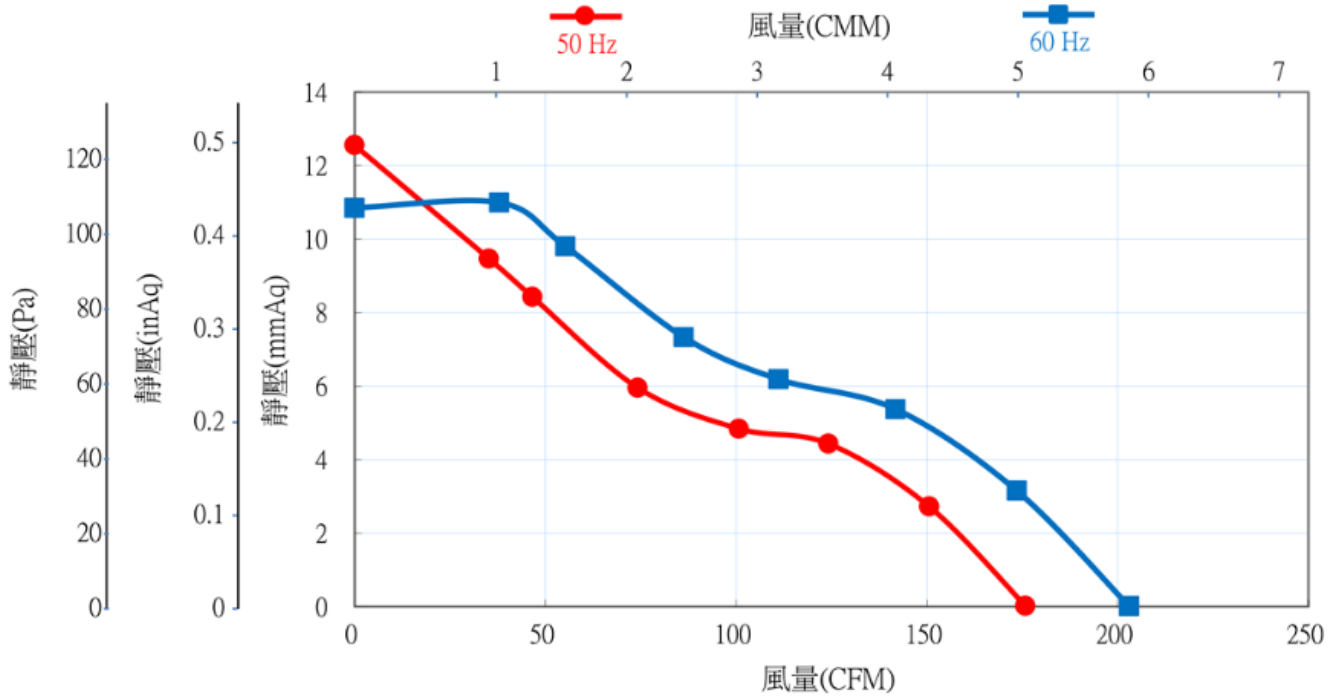
Terminal or Lead wire Type

MODEL:UF15A

AIR FLOW-STATIC PRESSURE CURVE

品名：軸流扇
規格：UF - 15A23B - H

測試日期：2015/6/24



Operating Manual

1. SAFETY REGULATIONS AND INFORMATION

- Read following operating instructions carefully before starting work on the device. Observe the following warnings to prevent machine malfunctions or danger to persons.
- These operating instructions maybe duplicated and distributed to inform about the potential dangers.

1.1 Staff Qualifications

- The device may only be transported, unpacked, installed, operated, maintained and otherwise used by qualified, trained and authorized technical staff.
- Authorized specialists are preferred to install the device with the electrical installation and carry out the test run.

1.2 Basic safety rules

- Please make sure the product is being installed and used in compliance with all safety standards.
- The locally applicable industrial safety regulations are always to be observed when working on the device.
- Please handle and install the product with caution. Hit or drop the product may cause possible damage.
- Please do not damage the product, especially the coil or lead wires during the installation, which may cause the possible smoke or fire.
- Fulltech Electric Co., Ltd.'s product warranty will not extend if your application exceeds the limitation of product specification.

1.3 Mechanical movement

- Risk of injury to body parts if coming into contact with the rotor or the impeller.
- Secure the device against accidental contact
- Before working on the system/machine, wait till all parts come to a standstill.

1.4 Transportation

- Transport the fan in its original packaging is preferred.

1.5 Storage

- Please follow the requirement on product specification for fan storage. Make sure that fan will dry and clean and free from vibration.
- Pls “do not” store the fan in the high humidity environment. If this fan is stored over 6 months, Fulltech suggests functional testing before using.