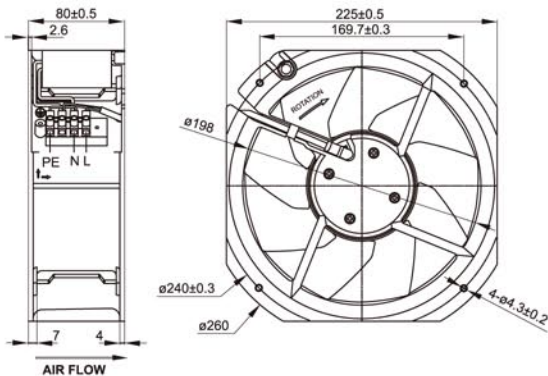


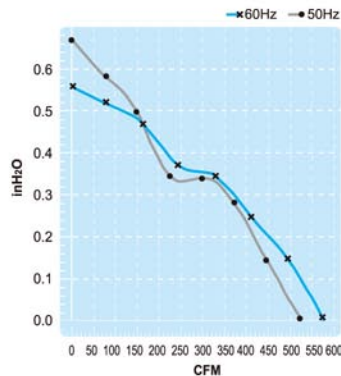
UF200BMB Series

Size : 225 x 225 x 80

Unit : mm



(Axial Fan)



Thermally-Protected



Spec.	Rated Voltage	Frequency	Input Power	Rated Current	Locked Current	Speed	Maximum Air Flow	Maximum Air Flow	Maximum Pressure	Maximum Pressure	Capacitor	Noise	Weight
Model	V	Hz	W	A	A	RPM	m ³ /min.	CFM	mmH ₂ O	InchH ₂ O	μF/VDB	dB	kg
UF200BMB11H1C2A	115	50	65	0.58	0.99	2550	15	530	17	0.67	5/250	59	2.1
		60	72	0.70	0.99	2800	17	600	14	0.55		61	
UF200BMB23H1C2A	230	50	74	0.29	0.50	2550	15	530	17	0.67	1.5/450	59	2.1
		60	80	0.35	0.50	2800	17	600	14	0.55		61	