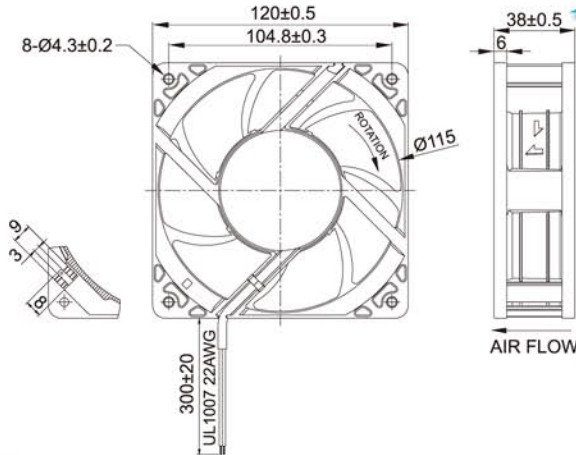
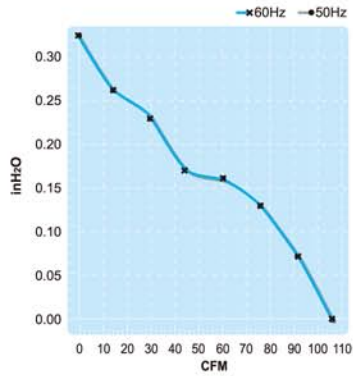


# EC FAN

# UFT12ABPB Series

Size : 120 x 120 x 38  
Unit : mm

## (Axial Fan)



Electronically-Protected



### Terminal or Lead Wire Type

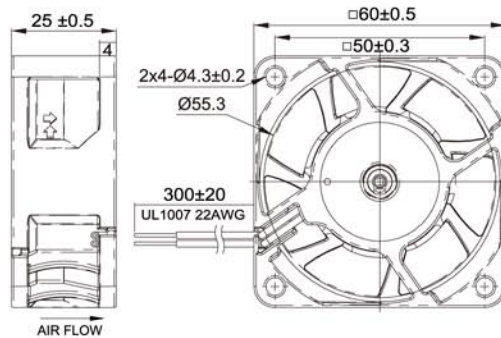
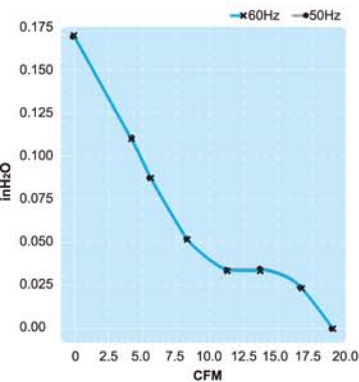
Spec.	Rated Voltage	Frequency	Input Power	Rated Current	Locked Current	Speed	Maximum Air Flow	Maximum Air Flow	Maximum Pressure	Maximum Pressure	Noise	Weight
Model	V	Hz	W	A	A	RPM	m <sup>3</sup> /min.	CFM	mmH <sub>2</sub> O	InchH <sub>2</sub> O	dB	kg
UFT12ABPB0AM1D4A	115~230	50/60	4.9 (115V) 5.2 (230V)	0.08 (115V) 0.06 (230V)	0.09 (115V) 0.06 (230V)	3200	3.0	106	8.6	0.34	31	0.29

# EC FAN

# UFT60BBPB Series

Size : 60 x 60 x 25  
Unit : mm

## (Axial Fan)



Electronically-Protected



### Lead Wire Type

Spec.	Rated Voltage	Frequency	Input Power	Rated Current	Locked Current	Speed	Maximum Air Flow	Maximum Air Flow	Maximum Pressure	Maximum Pressure	Noise	Weight
Model	V	Hz	W	A	A	RPM	m <sup>3</sup> /min.	CFM	mmH <sub>2</sub> O	InchH <sub>2</sub> O	dB	kg
UFT60BBPB0AM1D4A	115~230	50/60	2.0 (115V) 2.3 (230V)	0.039 (115V) 0.025 (230V)	0.092 (115V) 0.044 (230V)	3850 (115V) 3950 (230V)	0.54 (115V) 0.55 (230V)	19.1 (115V) 19.4 (230V)	4.3 (115V) 4.6 (230V)	0.17 (115V) 0.18 (230V)	31	0.06