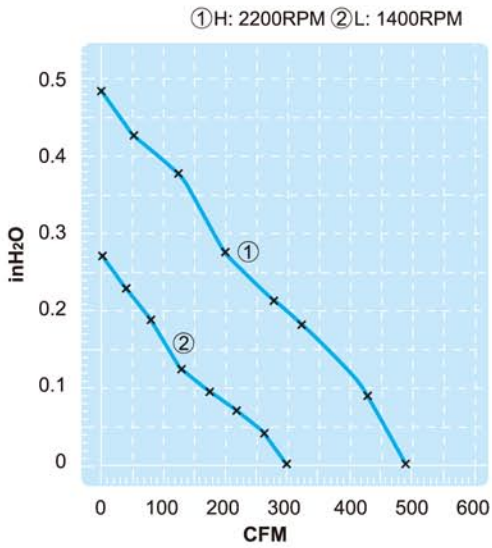
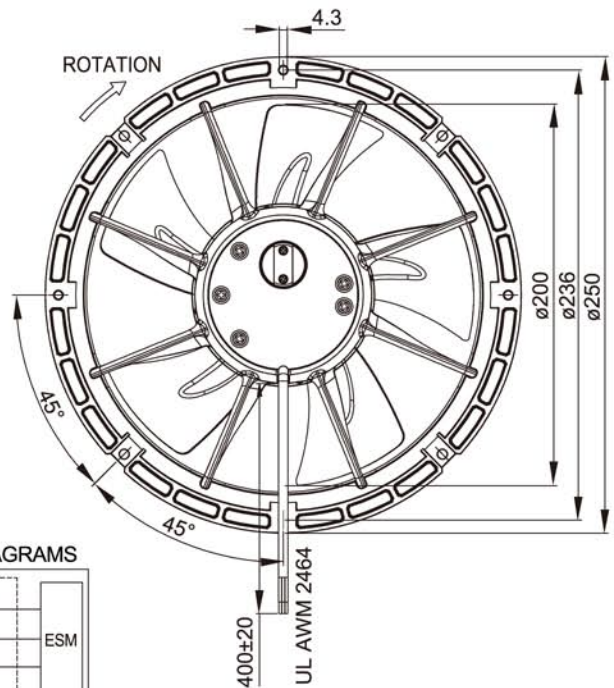
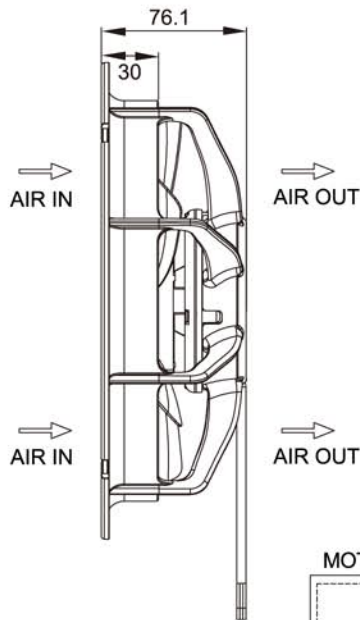


(AxialFan)

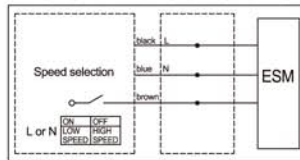
Size : $\phi 250 \times 76.1$
Unit : mm



Electronically-Protected



MOTOR WIRING DIAGRAMS



Lead Wire Type

Spec.	Rated Voltage	Frequency	Input Power	Rated Current	Locked Current	Speed	Maximum Air Flow	Maximum Air Flow	Maximum Pressure	Maximum Pressure	Noise	Weight
Model	V	Hz	W	A	A	RPM	m ³ /min.	CFM	mmH ₂ O	InchH ₂ O	dB	kg
UFT200BMB11H1D4A	115	50/60	26.0	0.40	0.10	2200	13.0	460	11.7	0.46	55	1
		50/60	8.1	0.13	0.10	1400	8.2	290	7.1	0.28	44	
UFT200BMB23H1D4A	230	50/60	27.0	0.24	0.10	2200	13.0	460	11.7	0.46	55	1
		50/60	8.5	0.08	0.10	1400	8.2	290	7.1	0.28	44	