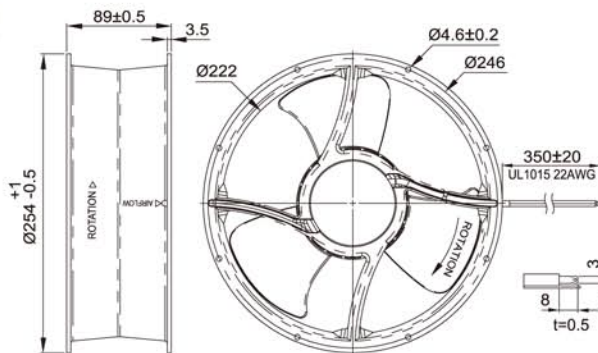


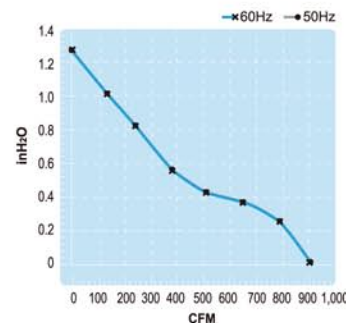
# UFT25GBP Series

**EC FAN**

Size :  $\varnothing 254 \times 89$   
Unit : mm



(Axial Fan)



**Electronically-Protected**

**Lead Wire Type**

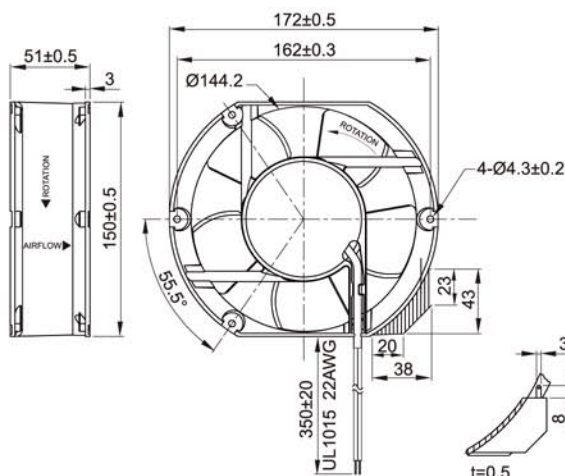


Spec.	Rated Voltage	Frequency	Input Power	Rated Current	Locked Current	Speed	Maximum Air Flow	Maximum Air Flow	Maximum Pressure	Maximum Pressure	Noise	Weight
Model	V	Hz	W	A	A	RPM	m <sup>3</sup> /min.	CFM	mmH <sub>2</sub> O	InchH <sub>2</sub> O	dB	kg
UFT25GBP23M1D8A	230	50/60	88	0.80	0.293	3000	25.7	910	32	1.26	73	2.09

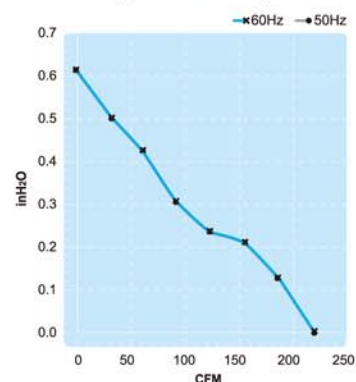
# UFT15PBP Series

**EC FAN**

Size : 172 x 150 x 51  
Unit : mm



(Axial Fan)



**Electronically-Protected**

**Terminal or Lead Wire Type**



Spec.	Rated Voltage	Frequency	Input Power	Rated Current	Locked Current	Speed	Maximum Air Flow	Maximum Air Flow	Maximum Pressure	Maximum Pressure	Noise	Weight
Model	V	Hz	W	A	A	RPM	m <sup>3</sup> /min.	CFM	mmH <sub>2</sub> O	InchH <sub>2</sub> O	dB	kg
UFT15PBP11M1D4A	115	50/60	15	0.23	0.25	3000	6.2	220	15.7	0.62	57	0.7
UFT15PBP23M1D4A	230	50/60	15	0.13	0.47	3000	6.2	220	15.7	0.62	57	0.7